

ANTI-VIBRATION: STAINLESS STEEL & ZINC PLATED

>>> 2100/4100 AM-Series

Sunnex 2100/4100 AM-Series mounts are ideal for use in food and chemical processing as well as other applications where vibration isolation is a concern.

Sunnex Stainless Steel and Zinc-Plated machine mounts have no hidden pockets where dirt and moisture can collect, making them ideal for applications where equipment is constantly being cleaned or where corrosion of steel may be a problem.

All models are also available in zinc-plated steel for environments where corrosion is not a factor, yet require a high level of vibration isolation.



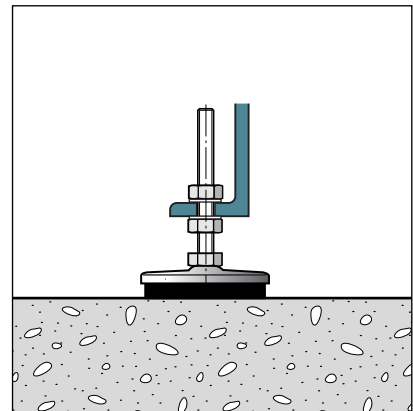
ADVANTAGES

- >> Corrosive resistant design
- >> Swivel up to 7° for added flexibility
- >> Available in a wide variety of sizes for any application
- >> High-grade materials; Non magnetic 304 grade stainless steel
- >> Articulated bolt for inclined surfaces
- >> Withstands loads up to 2000 kg

APPLICATIONS

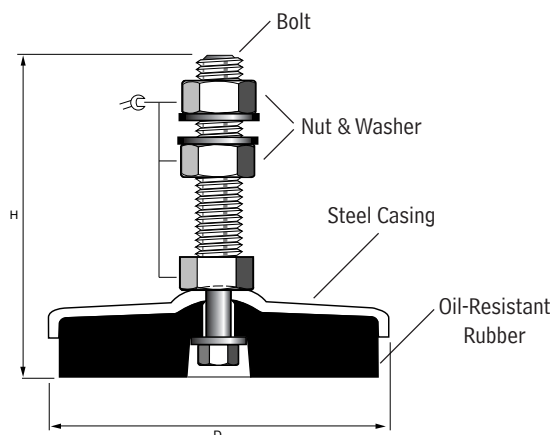
- >> ASSEMBLY EQUIPMENT
- >> CHEMICAL PROCESSING MACHINERY
- >> CONVEYORS
- >> FOOD AND BEVERAGE PACKING EQUIPMENT
- >> MEDICAL MANUFACTURING EQUIPMENT

Assembly example
Sunnex 2100/4100 AM-Series



ANTI-VIBRATION: STAINLESS STEEL & ZINC PLATED

Dimensioned Drawing
Sunnex 2100/4100 AM-Series



STANDARD:
The 2100/4100 AM-Series includes two nut and washer set.

Model	Load area daN (kg)	Height, H mm	Diameter, D mm	Thread type	$\varnothing C$ mm	Part No. Stainless steel	Part No. Zinc plated
2100	50-150	125	68	M10 x 1,50 x 100	17	10521	10525
2100	50-150	146	68	M12 x 1,75 x 120	19	10523	10553
2100	50-150	148	68	M16 x 2,00 x 120	24	10545	10555
2100	50-150	151	68	M20 x 2,50 x 120	30	10547	10557
2200	100-250	125	68	M10 x 1,50 x 100	17	10522	10526
2200	100-250	146	68	M12 x 1,75 x 120	19	10524	10554
2200	100-250	148	68	M16 x 2,00 x 120	24	10546	10556
2200	100-250	151	68	M20 x 2,50 x 120	30	10548	10558
3100	50-500	158	98	M12 x 1,75 x 120	19	10531	10535
3100	50-500	158	98	M16 x 2,00 x 120	24	10533	10538
3100	50-500	158	98	M20 x 2,50 x 120	30	10565	10575
3100	50-500	191	98	M24 x 3,00 x 150	36	10567	10577
3200	450-1000	158	98	M12 x 1,75 x 120	19	10532	10536
3200	450-1000	158	98	M16 x 2,00 x 120	24	10534	10539
3200	450-1000	158	98	M20 x 2,50 x 120	30	10566	10576
3200	450-1000	191	98	M24 x 3,00 x 150	36	10568	10578
4100	900-1500	169	140	M12 x 1,75 x 120	19	10620	10640
4100	900-1500	169	140	M16 x 2,00 x 120	24	10621	10641
4100	900-1500	169	140	M20 x 2,50 x 120	30	10622	10642
4100	900-1500	202	140	M24 x 3,00 x 150	36	10623	10643
4200	1400-2000	169	140	M12 x 1,75 x 120	19	10630	10650
4200	1400-2000	169	140	M16 x 2,00 x 120	24	10631	10651
4200	1400-2000	169	140	M20 x 2,50 x 120	30	10632	10652
4200	1400-2000	202	140	M24 x 3,00 x 150	36	10633	10653