

LEVELING MOUNTS

>>> FSM-Series

Sunnex FSM is a series of machine mounts specially designed for free-standing applications in which stringent demands are imposed on effective vibration damping and reduction of troublesome noise emanating from machinery and other equipment. Sunnex FSM is specially designed for applications that do not have bolt holes or, where bolt holes are inaccessible.

Sunnex FSM consists of a leveling plate coated with friction rubber that rests on a leveling bolt built into a steel chassis and a thick rubber damping element. The design of the mount allows it to withstand most types of grease, acid, oil and coolants that are used in the industry.

A tried and tested design with excellent leveling characteristics makes the Sunnex FSM the natural choice for the majority of machine types used in the industry, e.g. machine tools, engineering machinery and die and punch machines.



 sunnex

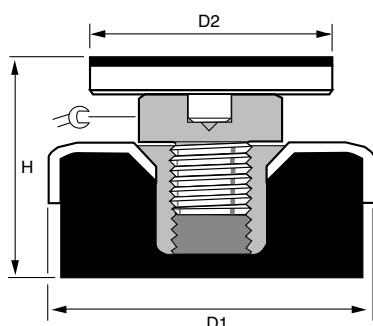
ADVANTAGES

- >> Designed for applications where a bolt hole does not exist or is inaccessible
- >> Reduces troublesome noise
- >> Effective vibration damping
- >> Withstands loads up to 1000 kg

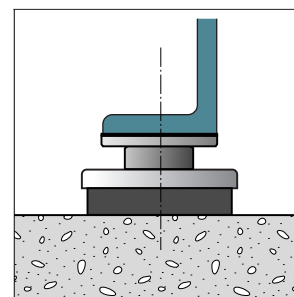
APPLICATIONS


- >> DIE AND PUNCH MACHINES
- >> ENGINEERING MACHINERY
- >> MACHINE TOOLS
- >> SCALES
- >> MEASURING TABLES

Dimensioned Drawing
Sunnex FSM-Series



Assembly example
Sunnex FSM-Series



Model	Load area daN (kg)	Height, H min-max, mm	Diameter, D1 mm	Diameter, D2 mm	 mm
FSM 11	50-500	55-65	80	60	30
FSM 12	400-1000	67-77	120	80	36