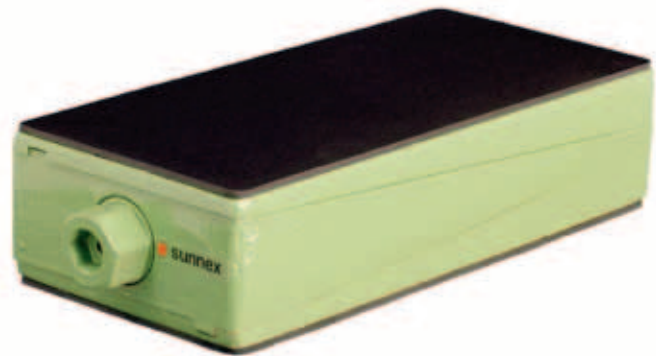


ANTI-VIBRATION AND PRECISION LEVELING

>>> WM-Series

The Sunnex WM-Series of machine mounts that have been specially designed for installation and leveling medium and heavy duty machinery used in areas such as the plastic industry, the engineering industry and the graphics industry.



The Sunnex WM system consists of a high precision leveling wedge that, thanks to a simple push/pull process, enables height adjustment accuracy to 1/100 mm.

Both the topside and the underside of the mount is coated with a 2 mm layer of high friction rubber that can withstand most known types of grease, acid, oil and coolant normally used in industrial applications.

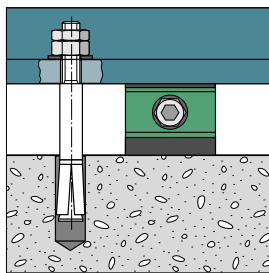
The WM-Series is particularly suited to various types of processing machines, injection moulding machines, presses, stamping machines and production lines. In addition, the Sunnex WM-Series can also be used as extra support for machines on long beds and works just as well on free-standing machines as on those anchored in the foundation.



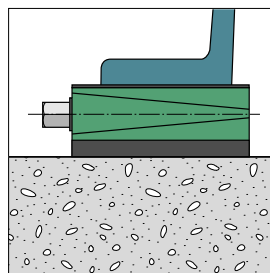
ADVANTAGES

- >> Precise leveling
- >> Reliable and secure bolt connection to machine
- >> Flexible height adjustment
- >> Suitable for both free-standing and anchored machines
- >> Extremely secure fastening bolts which allow anchoring to the floor
- >> Withstands loads up to 6500 kg

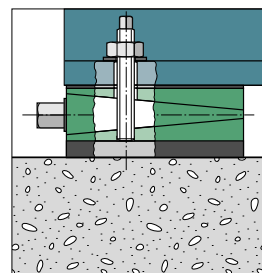
Assembly examples Sunnex WM-Series



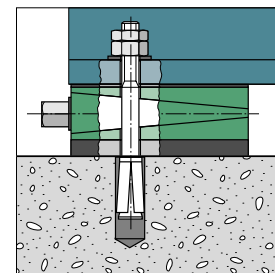
WM + bolt assembly



WM assembly



WMB assembly



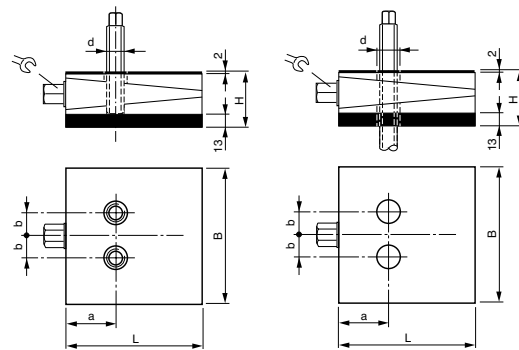
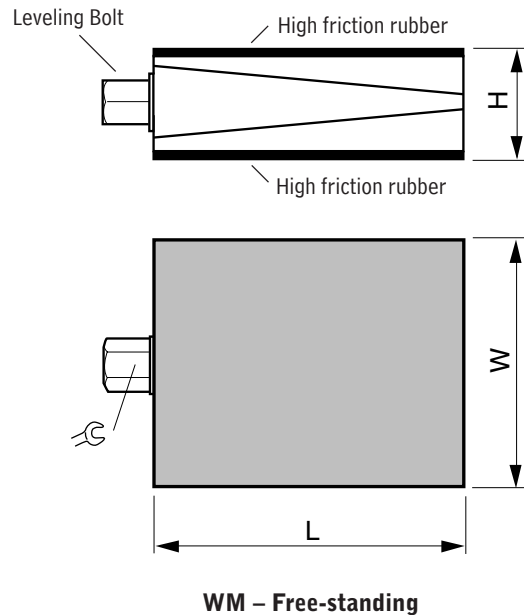
WMT assembly

ANTI-VIBRATION AND PRECISION LEVELING

APPLICATIONS

- » GENERAL MULTI-PURPOSE MACHINES WITH LONG BEDS
- » GRAPHIC MACHINES
- » HIGH-SPEED MACHINES
- » INJECTION MOLDING MACHINES
- » MACHINE TOOLS
- » PAD PRINTERS
- » PLASTIC PRODUCTION MACHINES
- » PRESSES
- » STAMPING MACHINES

Dimensioned Drawing
Sunnex WM-Series



WMB – Bolt-on

WMT – Bolt-through

Model	Max load daN (kg)	Height, H mm	Length, L mm	Width, W mm	PC mm
WM 10	850	36-44	105	55	55
WM 20	1800	39-49	150	75	75
WM 30	3500	45-55	200	95	95
WM 40	6500	44-56	200	200	200