

Sunnex CL-Series – 9/11W Fluorescent tube



>>> TECHNICAL DATA

Main voltage: **230V/50Hz**

Nominal effect: **9 or 11W**

Class: **II**

IP-Class: **IP20**

Equipped with: **Built-in ballast, 230V**

Compact fluorescent tube, 9 or 11W - 2 G23

>>> MOUNTING INSTRUCTIONS

Mount the lamp on a horizontal surface with the four attached M4-screws. Hole pattern, see dimensional drawing on page 17.

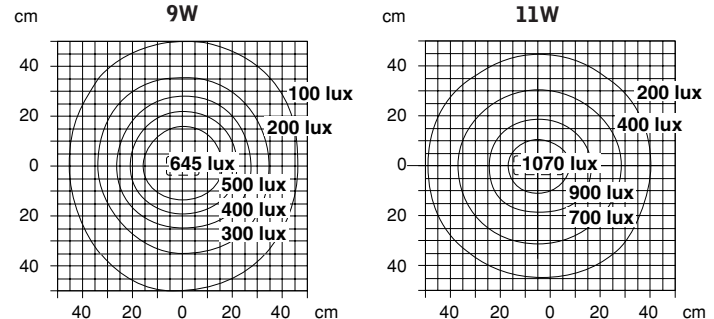
Available for the Gooseneck arm and Spot arm are also Sunnex mounting accessories; Magnetic base, C-clamp, Wall bracket and Desktop base.

Plug in the cordset to 230V main socket. On/off function is handled with switch in lamphouse.

>>> CHANGE THE FLUORESCENT TUBE

Disconnect cordset from main socket. Unscrew the gable part of lamphouse, pull out the broken tube and replace with a new tube. Screw the gable part back in place.

Lux tables



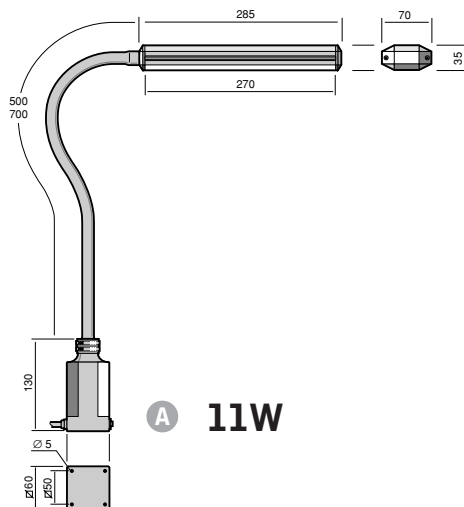
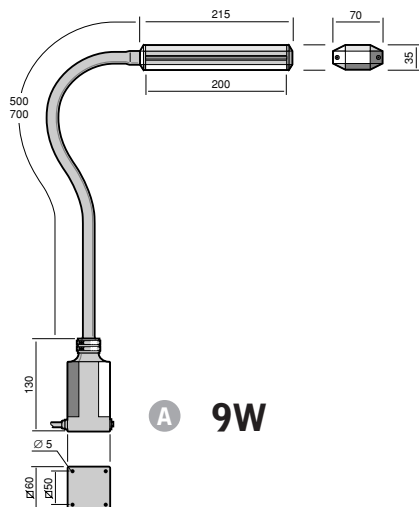
Measured 0,4 meters from the light source.

>>> NOTE

Use only Sunnex original parts to secure the function and performance of Sunnex lighting-series.

If the lens is broken, it must be replaced by a new lens. The cordset in this product is a non-replaceable type. If the cordset is damaged, the transformer unit has to be replaced, and it should be done by the manufacturer or a person with sufficient electrical knowledge.

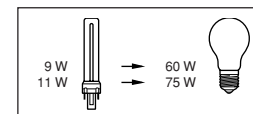
Contact your local dealer if you are unsure how to handle replacements on Sunnex CL-Series.



A Sunnex CL – Gooseneck arm

- » Arm length; 250, 500 or 700 mm
- » 230V – built-in ballast
- » IP-Class; IP20
- » Colour; Black or White RAL 9002

Wattage - Comparison



Fluorescent tube – Dulux S 9 and 11W

