

>>> TECHNICAL DATA

Main voltage: **230V/AC/50Hz or 12/24V AC/DC**
Nominal effect: **35W**
Class: **II**
IP-Class: **IP20 or IP65**
Equipped with: **Electronic built-in transformer 230V/12V/35W**
Halogen bulb – 35W/GY6.35

>>> MOUNTING INSTRUCTIONS

Mount the lamp on a horizontal surface with the four attached M4-screws. Hole pattern, see dimensional drawing on page 13.

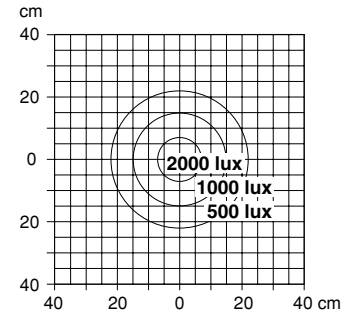
Available for the Gooseneck arm and Spot arm are also Sunnex mounting accessories; Magnetic base, C-clamp, Wall bracket and Desktop base.

Plug in the cordset to 230V main socket. On/off function is handled with switch in lampbase.

>>> CHANGE THE HALOGEN BULB

Disconnect cordset from main socket. Allow the bulb to cool down for a few minutes. Unscrew the screws holding the front part of lamphead, pull out the broken bulb and replace with a new bulb. Do not touch the bulb with bare hands! Screw front part back in place.

Lux table



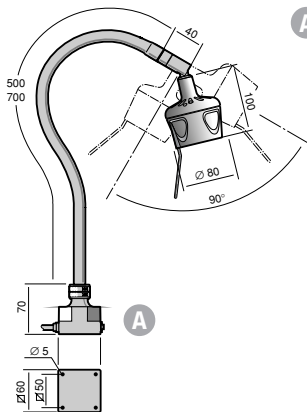
Measured 0,4 meters from the light source.

>>> NOTE

Use only Sunnex original parts to secure the function and performance of Sunnex lighting-series.

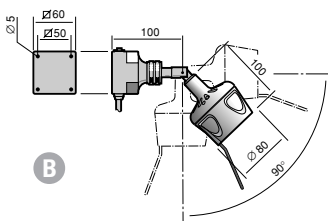
If the lens is broken, it must be replaced by a new lens. The cordset in this product is a non-replaceable type. If the cordset is damaged, the transformer unit has to be replaced, and it should be done by the manufacturer or a person with sufficient electrical knowledge.

Contact your local dealer if you are unsure how to handle replacements on Sunnex HM-Series.



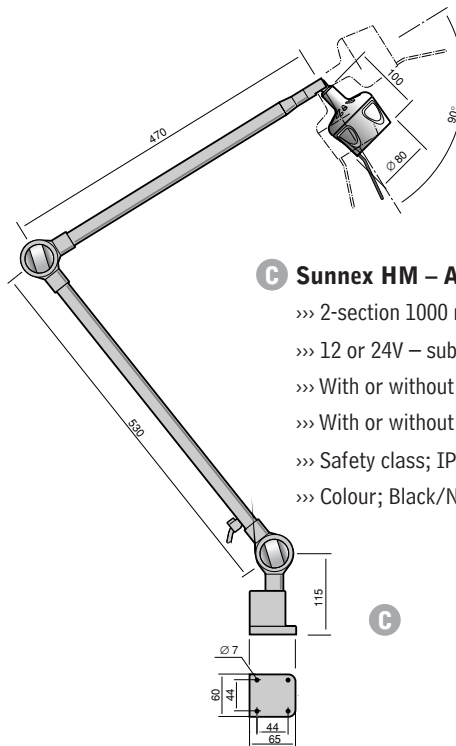
A Sunnex HM – Gooseneck arm

- »» Arm length; 250, 500 or 700 mm
- »» 230/12V – electronic built-in transformer
- »» 12 or 24V – sub base
- »» With or without swivel joint lamp head
- »» With or without dimmer
(with dimmer - low voltage models only)
- »» Safety class; IP20 or IP65
(IP65 - low voltage models only)
- »» Colour; Black or White RAL 9002



B Sunnex HM – Spot arm

- »» 230/12V – electronic built-in transformer
- »» 12 or 24V – sub base
- »» Single or double swivel joint lamp head
- »» With or without dimmer
(with dimmer - low voltage models only)
- »» Safety class; IP20 or IP65
(IP65 - low voltage models only)
- »» Colour; Black or White RAL 9002



C Sunnex HM – Articulated arm

- »» 2-section 1000 mm or 3-section 1250 mm arm
- »» 12 or 24V – sub base
- »» With or without swivel joint lamp head
- »» With or without dimmer
- »» Safety class; IP20 or IP65
- »» Colour; Black/Nickelplated steel