

## >>> TECHNICAL DATA

Main voltage: **230V/AC/50Hz or 12/24V AC/DC**

Nominal effect: **20W**

Class: **II**

IP-Class: **IP20**

Equipped with: **Electronic plug-in transformer 230V/12V/20W**  
**Halogen bulb – 20W/G4**

## >>> MOUNTING INSTRUCTIONS

Mount the lamp on a horizontal surface with the four attached M4-screws.  
Hole pattern, see dimensional drawing on page 9.

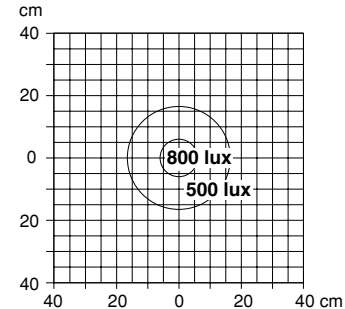
Available for the Gooseneck arm and Spot arm are also Sunnex mounting accessories; Magnetic base, C-clamp, Wall bracket and Desktop base.

Plug in the cordset to 230V main socket. On/off function is handled with switch in lampbase.

## >>> CHANGE THE HALOGEN BULB

Disconnect cordset from main socket. Allow the bulb to cool down for a few minutes. Gently dismantle the front part of lamphead, pull out the broken bulb and replace with a new bulb. Do not touch the bulb with bare hands! Push front part back on to lamp until it snaps in place.

### Lux table



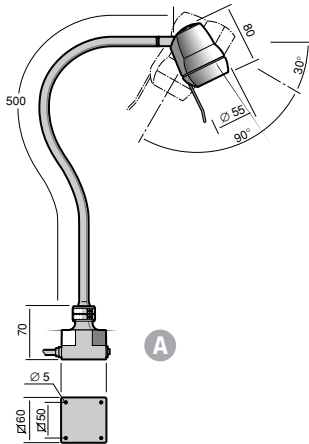
Measured 0,4 meters from the light source.

## >>> NOTE

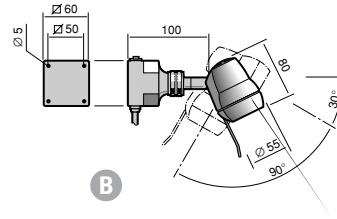
Use only Sunnex original parts to secure the function and performance of Sunnex lighting-series.

If the lens is broken, it must be replaced by a new lens.

Contact your local dealer if you are unsure how to handle replacements on Sunnex HT-Series.



**A**



**B**

- A Sunnex HT – Gooseneck arm**
  - >>> Arm length; 500 mm
  - >>> 230/12V – plug-in transformer
  - >>> 12 or 24V – sub base
  - >>> With swivel joint lamp head
  - >>> With or without dimmer  
(with dimmer - low voltage models only)
  - >>> IP-Class; IP20
  - >>> Colour; Black or White RAL 9002
  - >>> Dichroic reflector lamp as an option
  
- B Sunnex HT – Spot arm**
  - >>> 230/12V – plug-in transformer
  - >>> 12 or 24V – sub base
  - >>> Single swivel joint in lamp head
  - >>> With or without dimmer  
(with dimmer - low voltage models only)
  - >>> IP-Class; IP20
  - >>> Colour; Black or White RAL 9002
  - >>> Dichroic reflector lamp as an option