

HALOGEN 20W

>>> HT Series Lighting



Sunnex HT is a small and convenient universal and bench light which is ideally suited for all types of precision work with small or hard-to-reach work areas.

Supplied with a 20W halogen bulb, the Sunnex HT produces an extremely good spot light.

The lamp comes in either 230V, 120V or in a low-voltage, 12 or 24V, version for direct connection to machinery.

Sunnex HT is fitted with a swivel joint in the lamp head and a switch in the lamp base, making it flexible and easy to use. The ergonomic design also means that the lamp is easy to keep clean.

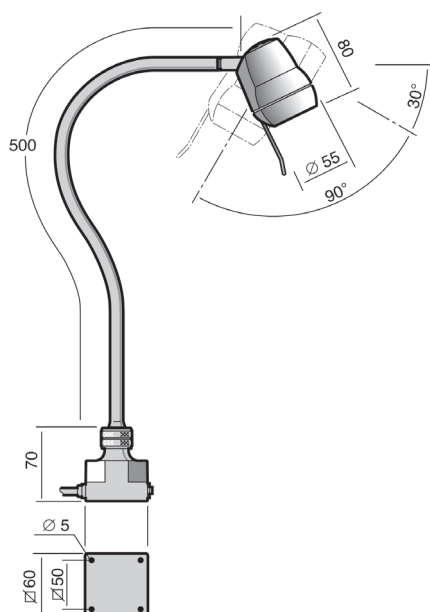
Features include:

- Flexible gooseneck arm for easy light positioning
- Swivel joint in lamp head for added maneuverability
- 230V with electronic plug-in transformer
- Versatile, focused light with compact lamp head



Switch on Lamp Head

For convenient on/off control, a rocker switch can be mounted on the lamp head.

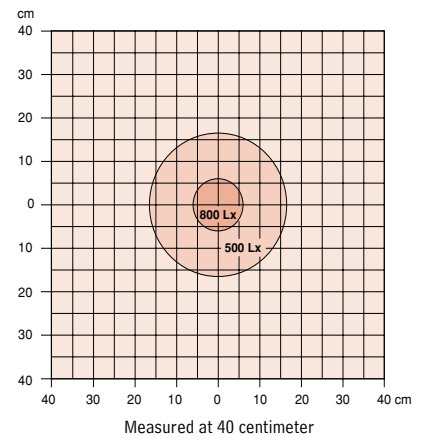


Sunnex HT, Flexible Gooseneck Light

	Standard	Optional
Power Supply	230V/AC/50Hz	12/24V AC/DC, 120V/AC/50Hz
Nominal Effect	20W	–
Arm length	500 mm	–
Lamp head	Swivel Joint	–
Lens/Filter	Frosted	Clear
Base	Direct Mount	–
Switch	Rocker Switch on Base	Rocker Switch on Head
Dimmer	–	Only 12/24V
Power Cord	2 meters	–
Class	II	–
IP-Class	IP20	–
Colour	Black	Off-white



HT Series Lux Table



Ideal for applications including:

- Microscope Illumination
- Assembly and Inspection Areas
- Work Stations
- Office Areas



HT Series Mounting Options



Magnetic Base



C-clamp



Wall Bracket

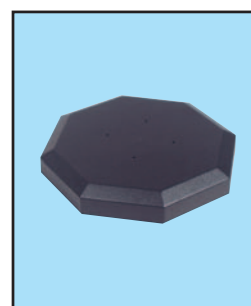


Table Base, Octagon

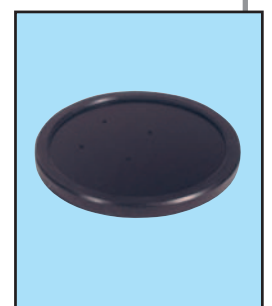


Table Base, Round