

# FLUORESCENT

## >>> Illuminated Magnifiers & Work Lights



The RLM Series of magnifying lights offers superior light intensity for detailed inspection.

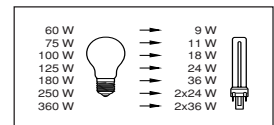
### Features include:

- Magnification of 2.25X (5 diopter)
- 22W fluorescent ring light with low heat emission
- Quick adjust lever at base for easy positioning
- Adjustable joints
- Optional 2.25X add-on lens available

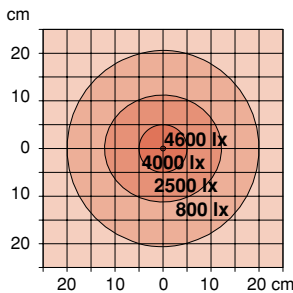
### Ideal for applications including:

- **Inspection Areas**
- **Office and Laboratories**
- **Workbenches**

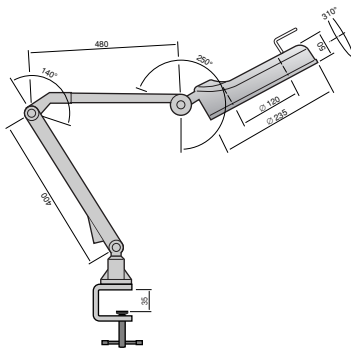
### Wattage – Comparison



### RLM Series Lux Table



Measured at 15 centimeters



### Sunnex RLM – Illuminated Fluorescent Magnifier

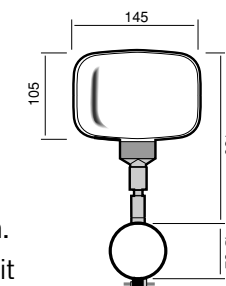
	Standard	Optional
Power Supply	230V	120V
Nominal Effect	22W	–
Arm length	880 mm	–
Lamp head	Swivel Joint	–
Lens/Filter	Clear	–
Base	C-clamp	Mobile Base
Switch	Rocker Switch on Arm	–
Dimmer	–	–
Power Cord	1.8 meters	–
Class	II	–
IP-Class	–	–
Color	Off-white	–



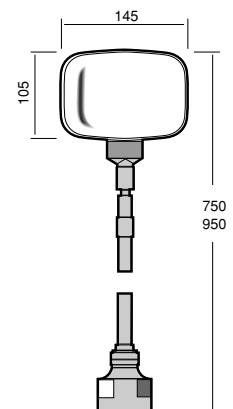
Sunnex Magnifying Unit HS is an economical solution for anyone who does not need a complete Magnifying lamp.

This HS unit is quickly mounted on the lamphead of the Sunnex HS Series.

A separate unit that is mounted on a Sunnex flexible arm is another option. Sunnex Magnifying Unit/Separate Unit has the magnification of 4 diopter (2,0X).



HS  
Magnifying Glass Unit



Separate Unit  
on a Flexible Arm



The CLB/CLM Series is a high quality light that offers superior illumination backed by solid construction. In addition, the CLB/CLM offers distortion-free magnification and is equipped with spring-loaded joints that ensure the lamp stays exactly where it is needed.

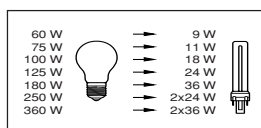
**Features include:**

- Bright, powerful daylight quality illumination
- Adjustable lamp head for easy light positioning
- Power configurations; 2x18W, 1x36W or 2x36W

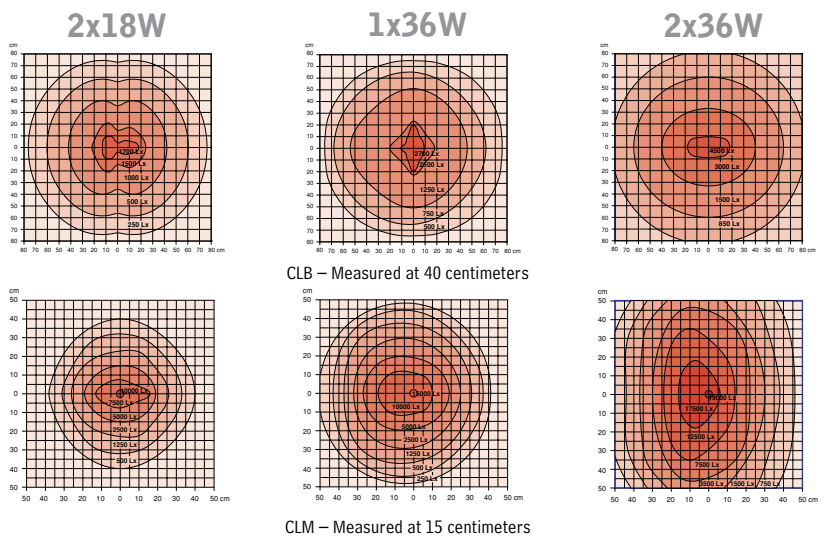
**Ideal for applications including:**

- **Assembly Areas**
- **Office and Laboratories**
- **Workbenches**

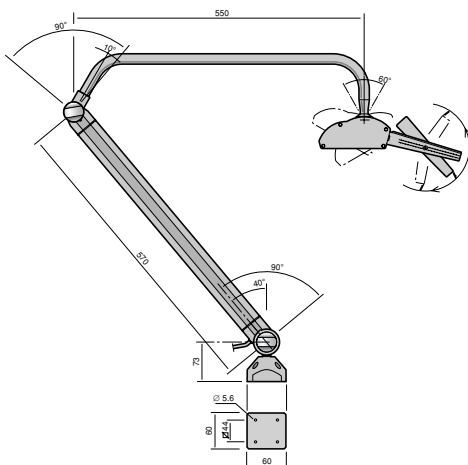
**Wattage – Comparison**



**CLB/CLM Series Lux Table**



**Sunnex CLB/CLM**



**Standard**

**Optional**

	Standard	Optional
Power Supply	230V	120V
Nominal Effect	1x36W	2x18W/2x36W
Arm length	1120 mm	—
Lamp head	Swivel Joint	—
Lens/Filter	Screen	—
Base	Direct Mount	C-clamp
Switch	Rocker Switch in Head	—
Dimmer	—	Yes
Power Cord	2 meters	—
Class	II	—
IP-Class	IP20	—
Color	Black & Aluminium	—